

User Manual

Breeze- CN127



Please read the instructions carefully
before using this product

Catalogue

Catalogue	01
Warning	03
Product parameters	04
Graphic	05
Hearing aid on/off	06
Product charge	07
Wearing a hearing aid	09
Switch volume/program	11
Replacement of earplugs	12
Replace cerumen filter	13
Cleaning and maintenance	14
Troubleshooting guide	16

Matters needing attention	19
FCC warning statement	20

Warning

Hearing aid is designed for hearing loss. They are hearing status, and according to the individual habit custom and installation.

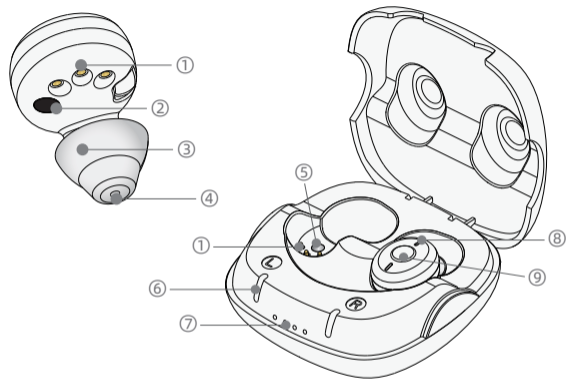
Therefore, not suitable for others to use. Before using a hearing aid, please read this manual carefully, and according to the manual operation. Improper operation may damage your hearing aid.

Product parameters

Max. OSPL90	<110dB
HF Avg.OSPL90	104±4dB
Max gain	NA
HFA Gain	25±4dB
Noise Level	≤32dB
Frequency Range	F1≤250Hz F2≥5000Hz
Battery Current	≤3%
Total Distort	NA

	Hearing aids	Charging box
Charging time	≤2H	≤2H
Working hours	About 27 H	For a pair of hearing aids charging about 4 times

Graphic



- ① Charging contact
- ② Light sensing contact
- ③ Earplug
- ④ Sound producing hole
- ⑤ Magnetic contact
- ⑥ Hearing aid charging indicator light
- ⑦ Charging indicator light for charging box
- ⑧ Microphone
- ⑨ Multi-function button

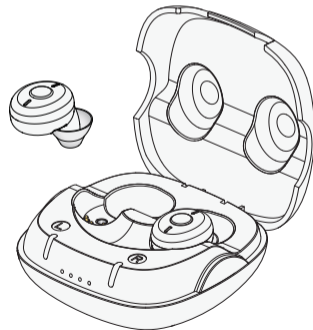
Hearing aid on/off

1. power on

- Remove hearing aid from charging box, hearing aid open automatically after 5 seconds.

2. power off

- Will hearing aid in the charging box, hearing aid automatically shut down.

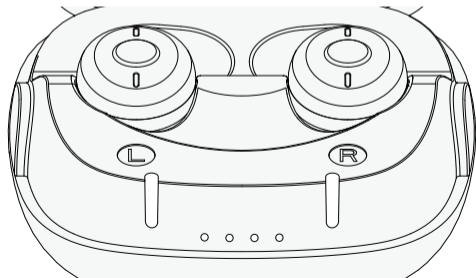


Product charge

1. Hearing aid charging

- Hearing aid to be included in the charging box, hearing aid will automatically start charging.

Charging status	Light is state
In charge	Hearing aid charge indicator lights up
Charge completion	Hearing aid charging indicator is off



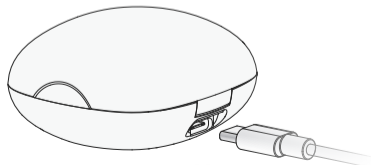
-07-

2. Charging box charging

The charging case has the power storage function and can be used to charge the hearing aid. When the charging indicator of the charging box is only one bar and flashing, it means that the charging box is short of power, please charge in time;

- The hearing aid and the charging box are connected to the power supply to charge. The charging box has 4 indicators. When charging, the charging box charging indicator light flashes white.

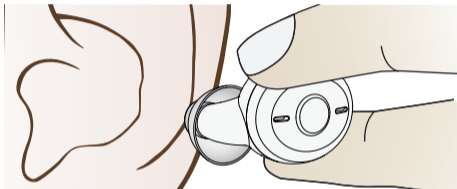
Indicator status	Battery capacity of charging box
☉ ⊗ ⊗ ⊗	0-25%
☉ ☉ ⊗ ⊗	26-50%
☉ ☉ ☉ ⊗	51-75%
☉ ☉ ☉ ☉	75-100%



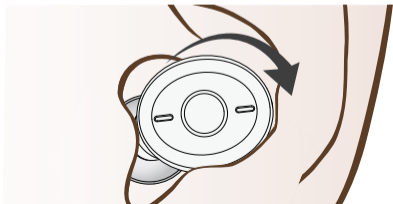
-08-

Wearing a hearing aid

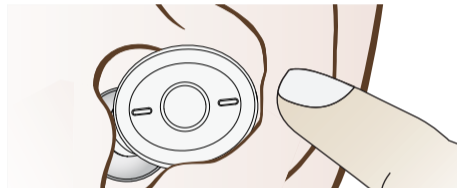
Step 1: Pinch the hearing aid tightly between your thumb and forefinger, align the hearing aid with the ear canal, and insert the hearing aid comfortably into the ear canal.



Step 2: Fine-tune the hearing aid to a comfortable position.



Step 3: In order to avoid the noise, the hearing aid has a delayed startup function. When you hear the "beep, beep, beep" prompt tone, it means that the hearing aid has been started. Press the multifunctional button on the hearing aid to switch the volume and program.



Switch volume/program

1. Switch the volume

Quickly click the hearing aid button to adjust the volume cycle, and hear a "beep, beep" sound to indicate that the hearing aid volume is at its maximum level.

2. Switch program

Long press the key of the hearing aid can adjust the program cycle, and different prompt sounds represent different programs.

Cue tone	Program
"beep"	Quiet mode
"beep,beep"	Noise reduction mode 1

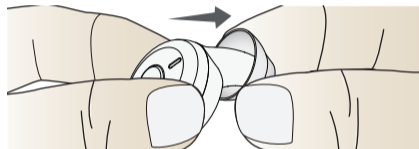
3. Program applicable environment

Program	Applicable environment
Quiet mode	Suitable for quieter environment
Noise reduction mode 1	Suitable for noisy environment

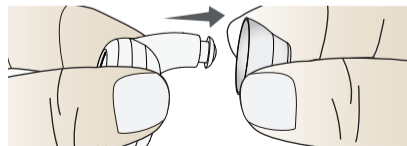
Replacement of earplugs

Inappropriate earplugs may cause the hearing aid to whistle and the ear canal to feel swollen, so we recommend that you choose the right earplugs for replacement.

Step 1: Pinch the body of the hearing aid with one hand and remove the inappropriate earplugs with the other hand.



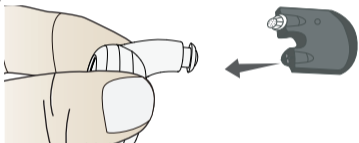
Step 2: Choose the earplugs from the gift earplugs that fit the size of your ear canal, align them with the sound hole and insert them for installation.



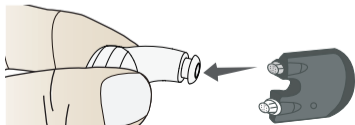
Replace cerumen filter

The cerumen filter is located in the sound hole of the hearing aid to prevent earwax from entering the hearing aid and causing damage. It is recommended that you replace cerumen strainer every 3 months.

Step 1: First take off the earplug, align the disassembly end of the cerumen rod without cerumen strainer into the sound hole, and pull out the old cerumen strainer.



Step 2: Insert the part with the new cerumen filter into the sound hole. Make sure it is firmly installed before discarding the old cerumen filter.



Cleaning and maintenance

1. Routine maintenance

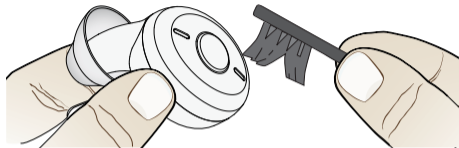
It is important to keep your equipment clean and dry. To avoid potential damage from excessive humidity or sweating, a drying kit is also recommended.

2. Care and maintenance

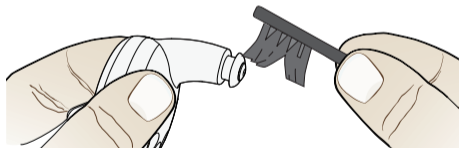
- Store in a safe area away from children and pets when not in use.
- Do not place hearing AIDS or charging sockets in hot areas such as stoves or in direct sunlight.
- Do not leave the device in a damp place, such as a bathroom, for long periods of time.
- Be careful not to poke the microphone hole with any sharp object to avoid damage.
- Do not disassemble yourself or attempt any repair. Doing so will void your warranty.

3. Clean

- Clean with brush the microphone.



- Use cleaning brush clean out holes.



Troubleshooting guide

Malfunction	Possible reasons for	The Solution
No sound	Low volume	Please increase the volume
	Equipment is out of power	Charge your hearing aid
	Microphone clogging	Clean microphone
	Cerumen filter is blocked	Replace cerumen strainer
The voice was low, weak, or unclear	The battery is low.	Charge your hearing aid
	The earplugs are too loose	Choose the right earmuffs to wear
	Earplugs or cerumen filters have wax in them	Clean dirt from ears and earplugs; replace New cerumen filter
	Hearing change	Contact your doctor
The hearing aid whistled in the charging case	The hearing aid was placed out of position	Place the hearing aid in the charging box according to the "L,R" mark

The hearing aid whistled in the charging case	The battery of the charging case is exhausted	Make sure the charging case is charging
Hearing aid into the charging box, the hearing aid charging indicator light is not bright	Bad contact of charging contact	Clean charging contacts
	The hearing aid was placed out of position	Check to see if your hearing aid is in the wrong position

Matters needing attention

- Do not use hearing aids if you have any of the following conditions:
 - Congenital atresia external or malformation of any part of the ear canal.
 - Erratic deafness, where the degree of hearing loss often fluctuates.
 - Persistent headache, dizziness, earache, tinnitus or other symptoms that are not suitable for adaptation.
 - Sudden hearing loss within the last 3 months; Rapid progressive deafness.
 - Unilateral hearing loss or other acute ear disease.
 - Fluid accumulation in the ear or frequent insertion (unbearable).
 - Central deafness (central nervous system) or non-organic deafness.
 - Patients with acute otitis externa and otitis media.
 - Patients with acute and chronic suppurative otitis media (in the suppurative infection stage).
 - Patients who are allergic to this product material.

2. Hearing aid daily precautions

- Do not immerse hearing aid in any liquid.
- Remove hearing aid before swimming or bathing.
- After swimming or washing, wait until your ear canal is dry before wearing your hearing aid.
- After taking off the hearing aid at night, it should be placed in the box with desiccant as far as possible to avoid light, high temperature and high humidity environment.
- The outer surface of the hearing aid should be kept clean, and wax from the earbuds should be removed daily.
- When you are not using your hearing aid, charge the product regularly to avoid damaging the battery.

FCC warning statement

Changes or modifications that are not explicitly approved by the compliant party may invalidate the user's authority to operate the equipment. This device has been tested to comply with Part 15 of the FCC Rules. These restrictions are intended to provide reasonable protection against harmful interference in residential installations. This equipment generates and radiates radio frequency energy, which may cause harmful interference with radio communications if not installed and used according to the instructions. However, there is no guarantee that interference will not occur in a particular installation. If the device does cause harmful interference with radio or television reception, which can be determined by turning the device off and on, the user is encouraged to try to correct the interference by doing one or more of the following: complying with the limitations of a Class B digital device:

- Reposition or reposition the receiving antenna.
- Increase the distance between device and receiver.
- Connect the device to a different socket from the circuit connected to the receiver.
- Consult with distributors or experienced radio/TV technicians.